



Technical Data

Rated Voltage	275 VAC
Frequency	50 to 60 Hz
IEC Climate Category	25/100/21C
Standards	IEC/EN 60939
Ambient Temperature	max. 50°C
Protection Class	IEC 61140
Connections	PCB Contact Pin Ø 1 mm

Features and Benefits

- High common and differential-mode noise suppression
- Highest power density
- Compact PCB-mounting design
- Hermetic housing

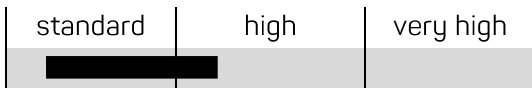


Typical Applications

- Electronic Equipment
- PWM modulation applications
- AC / DC converters

Performance Indicators

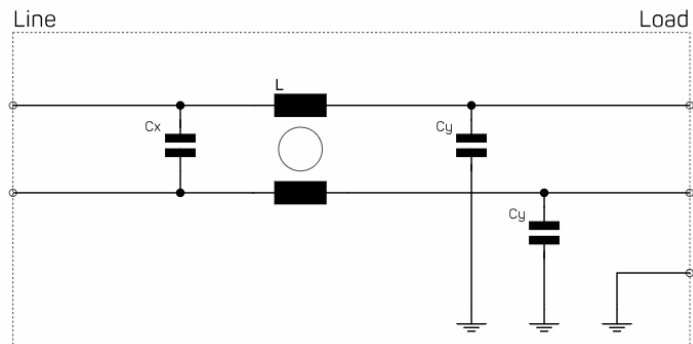
Attenuation Performance



Rated Current (A)



Circuit Diagram

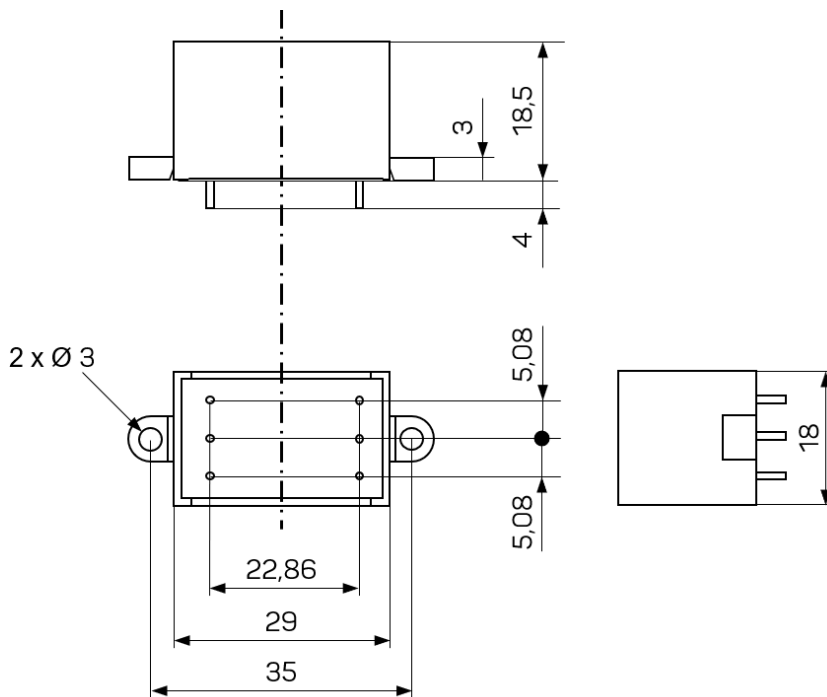


Specification Examples

Filter Type	Rated Current	Overload	Leakage Current	C _x	C _y	L	R
FA1-2-04-4C1-P10-PK	4 A	6 A	< 0.5 mA	100 nF	2,7 nF	1 mH	-
FA1-2-04-BC8-P10-PK	4 A	6 A	< 0.5 mA	100 nF	2,7 nF	2 mH	-
FA1-2-04-BD2-P10-PK	4 A	6 A	< 0.5 mA	220 nF	3,3 nF	4 mH	-
FA1-2-04-BD3-P10-PK	4 A	6 A	< 0.5 mA	100 nF	3,3 nF	7 mH	-
FA1-2-04-BD4-P10-PK	4 A	6 A	< 0.5 mA	220 nF	4,7 nF	7 mH	-

further customized combinations are available on request

Dimensions



Typical Filter Attenuation

per CISPR 17, A = 50 / 50 sym; B = 50 / 50 asym

